

X143000



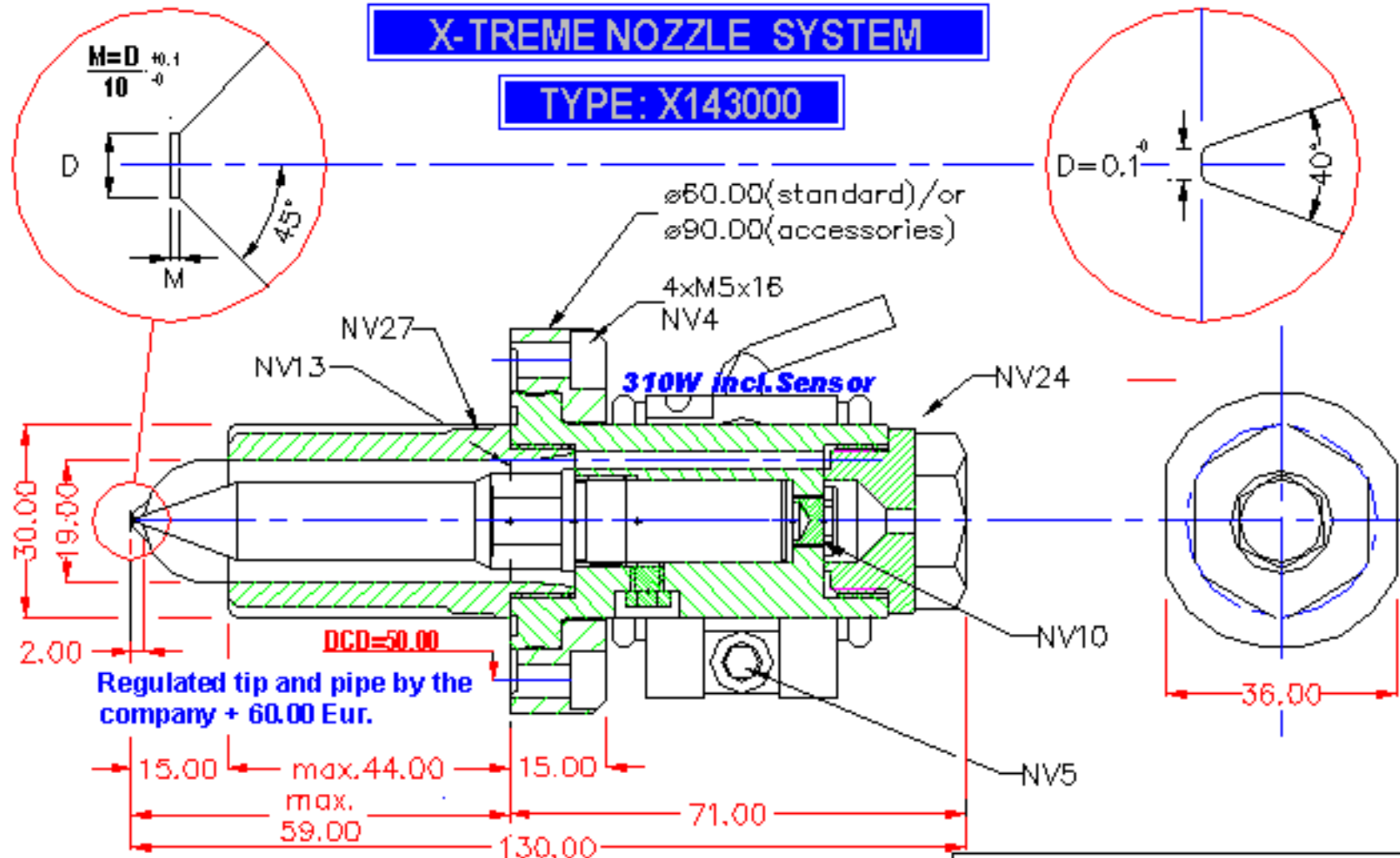
System Flygenring
Denmark



Alle m?l uden tolerance \pm CNC mm.

X-TREME NOZZLE SYSTEM

TYPE: X143000



Complete with all 490.00 Eur
Included special key
Delivery august 2010

(accessories)			
Spruebussing	113114	ø1.40	
Spruebussing	113116	ø1.60	
Spruebussing	113118	ø1.80	
Spruebussing	113120	ø2.00	

Del af 143000

Type X143000

Genstand
XTREME NOZZLE TYPE:143000

Materiale

Lager nr.

Målforh.

1:1

Tegn. Kont.

EF23-07-10

Tegn. A4